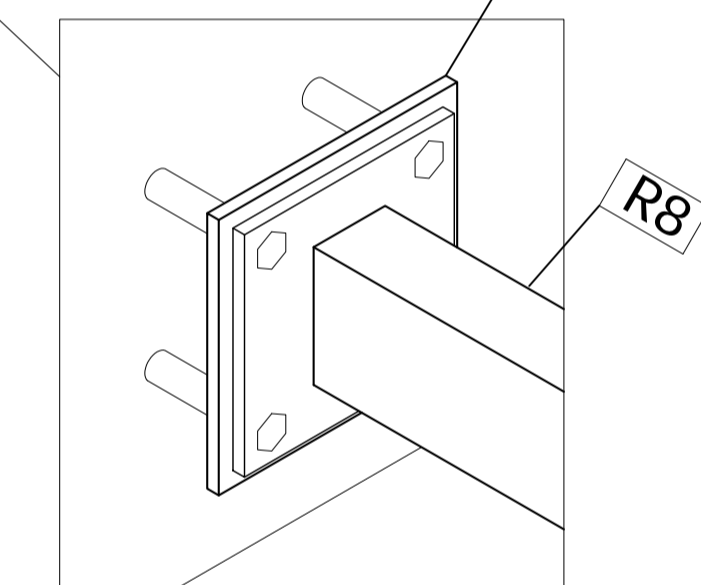
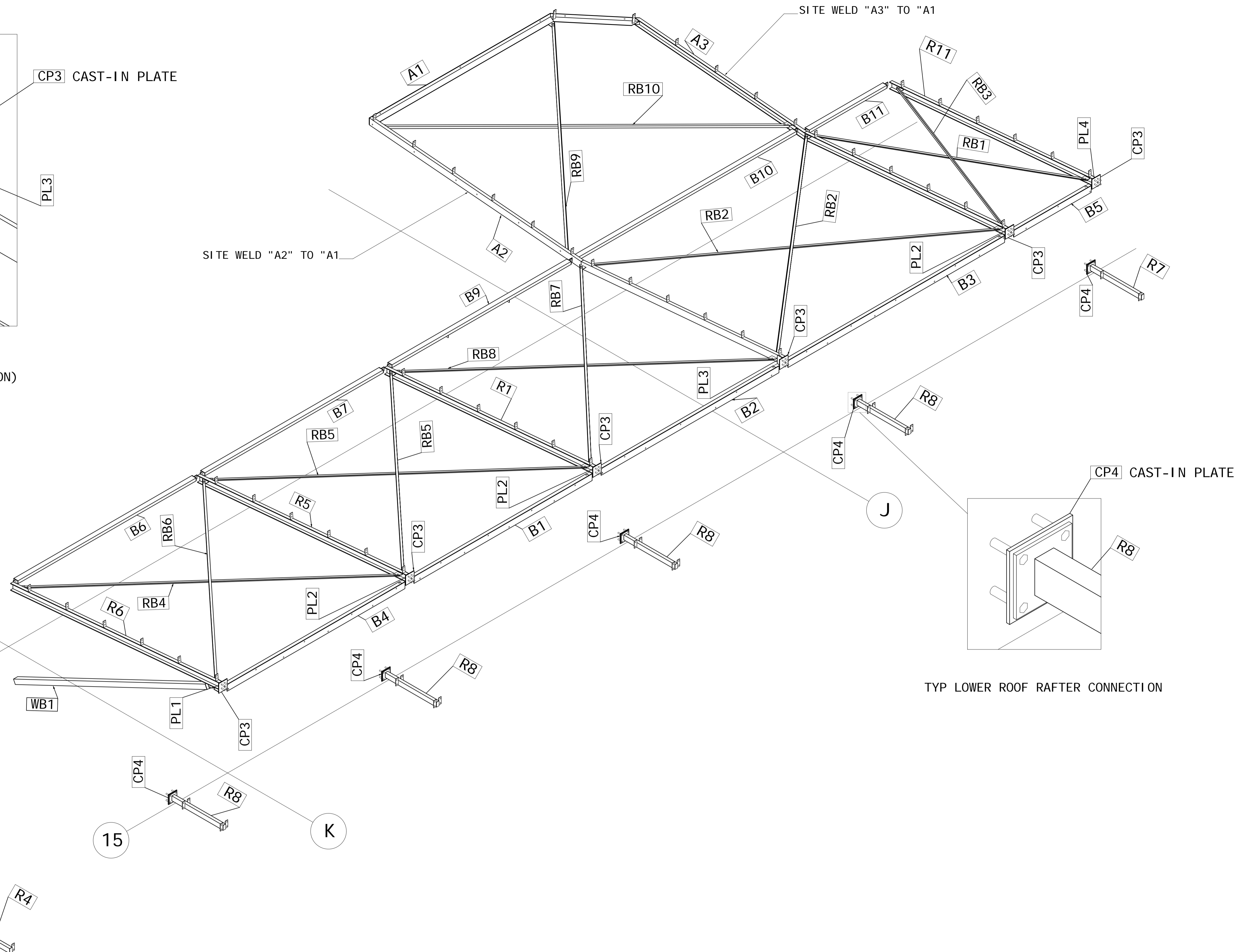


CP3 CAST-IN PLATE

PL3

B2

TYP MAIN ROOF RAFTER CONNECTION
(REFER 3D VIEW FOR RAFTER ORIENTATION)



CP4 CAST-IN PLATE

TYP LOWER ROOF RAFTER CONNECTION

3-D VIEW

NOTES: 1. ALL HORIZONTAL MEMBERS ARE MARKED ON "TOP" FACE OF NORTH OR WEST END
2. * DENOTES MARKS ARE ON THE "TOP" FACE OF SOUTH OR EAST END
3. ALL PFC'S FRAMES, HORIZ/VERT BRACING TO BE ERRECTED WITH DIRECTION OF LEGS AS INDICATED ON PLANS OR ELEVATIONS.
4. ALL STAIRS ARE MARKED AT TOP END.
5. ALL COLUMNS ARE MARKED ON NORTH OR WEST FLANGE AT BASE END.
6. ALL FIN PLATES ARE ON THE NORTH AND WEST FACE OF CONNECTING BEAM U.O.N

DRG No.	REFERENCE DRAWINGS
REV	DATE
AMENDMENT	

E	
D	
C	
B	
A	
MARKING PLAN	
ENGINEERING DWG	
ISSUED FOR APPROVAL	

Ena Pty Ltd
 POST OFFICE BOX 976
 MORLEY WA 6943
 PAUL 0468 854 831
 KERRY 0468 854 830
 ACN 115921876

DRN	CHK	DATE	SCALE	SHEET
			NTS	A1

PROJECT	EDITH COWAN UNIVERSITY BUILDING 31a JOONDALUP
MARKING PLAN	JOB NO.
DRG NO.	REV
-	